

EQUIP. TYPE *R390A/L11P* PART NO.

*COL. 540 7877 002*

NOTICE: WHEN GOVERNMENT DRAWINGS, SPECIFICATIONS, OR OTHER DATA ARE USED FOR ANY PURPOSE OTHER THAN IN CONNECTION WITH A SPECIFICALLY RELATED GOVERNMENT PROCUREMENT OPERATION, THE UNITED STATES GOVERNMENT THEREBY INCURS NO RESPONSIBILITY FOR ANY OBLIGATION WHATSOEVER AND THE FACT THAT THE GOVERNMENT MAY HAVE FORMULATED, PROVIDED, OR IN ANY WAY SUPPLIED THE SAID DRAWINGS, SPECIFICATIONS, OR OTHER DATA IS NOT TO BE REGARDED BY REPLICATION OR OTHERWISE AS IN ANY MANNER ENDORSING THE RESULTS OR ANY OTHER FORMS OR COMBINATIONS, OR CONVEYING ANY RIGHTS OR PERMISSIONS TO REPRODUCE, USE, OR SELL ANY PATENTED INVENTIONS THAT MAY BE ANY WAY BY RELATED THEREBY.

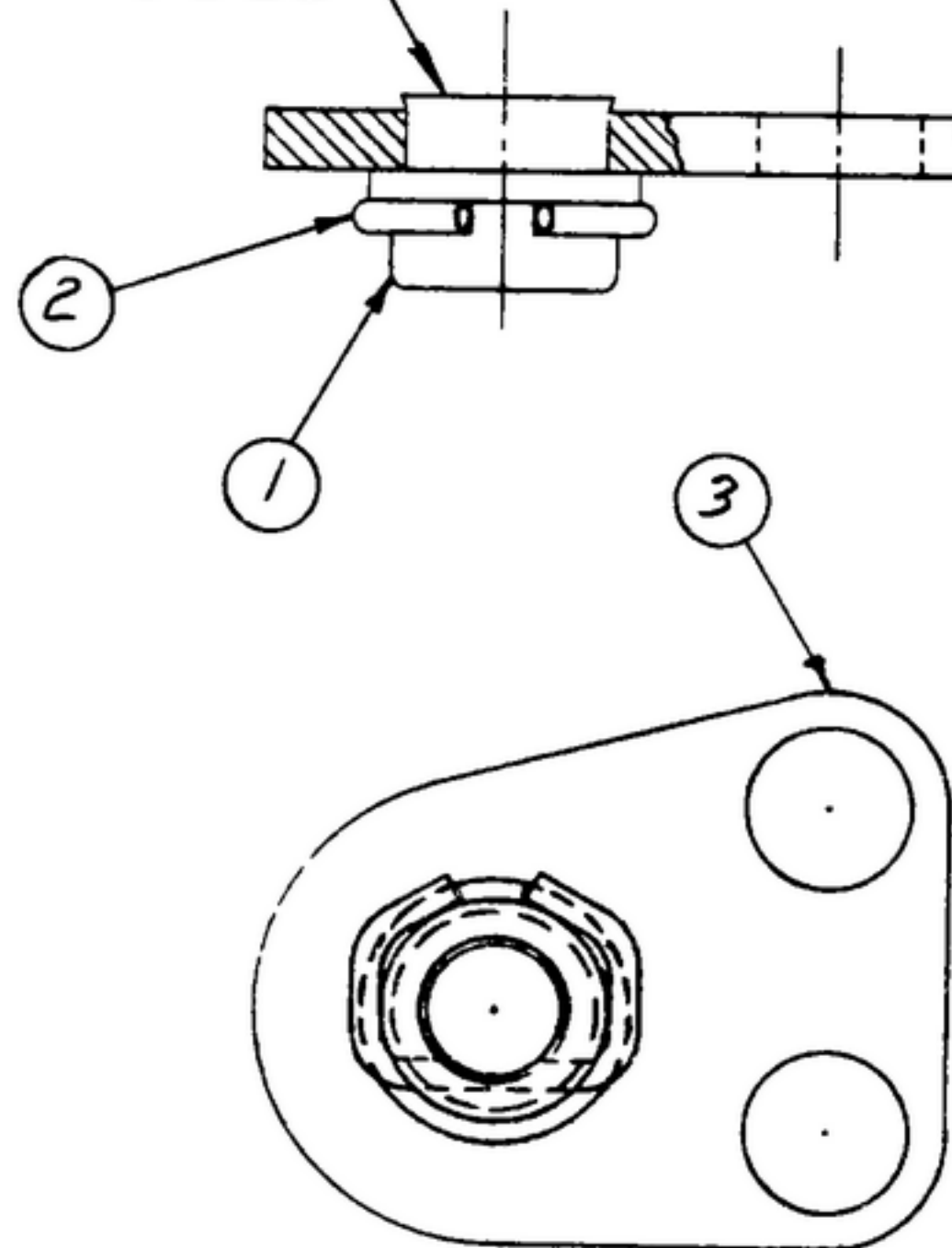
THIS DOCUMENT HAS BEEN PREPARED BY THE GOVERNMENT AND MAY BE REPRODUCED AND USED IN CONNECTION WITH ANY GOVERNMENT PROCUREMENT OR CONTRACT OPERATION.

\*FOR INFORMATION ONLY. CONTRACTOR MAY AT HIS OPTION DEVIATE FROM THESE PROCESS DETAILS.

REVISIONS

SYM	DESCRIPTION	DATE	APPROVAL

*ROLL OVER THIS SIDE*



NOTES:  
1. PART TO BE FLAT WITHIN .010 T.I.R AFTER ASSY.

ORDERS PART NO.	ITEM	QTY	PART NO.	DESCRIPTION	MATL	MATL SPEC
<i>558-0401-002</i>	3	1	<i>SM-B-249050</i>	<i>PLATE-ADJUSTING</i>		
<i>558-0052-002</i>	2	1	<i>SM-B-170817</i>	<i>SPRING</i>		
<i>558-0055-002</i>	1	1	<i>SM-B-170815</i>	<i>NUT</i>		

LIST OF MATERIAL

*COLLINE PART NO. 558-0429-002*

COLLINE NO.	QTY	NEXT ASSY	USED ON
		<i>SM-D-343629</i>	
<i>558-0453-004-12</i>		<i>SM-D-248854</i>	<i>SC-DL-248775</i>

DRAWN *Hamer*      CHECKED *William*      APPROVED

UNLESS OTHERWISE SPECIFIED:  
 DECIMAL DIMENSIONS INCLUDING HOLE SIZES MAY VARY ±.008  
 FRACTIONAL DIMENSIONS INCLUDING HOLE SIZES MAY VARY ±1/64  
 MACHINED ANGLES MAY VARY ±.1°  
 SHEARED ANGLES MAY VARY ±.25°  
 BROKEN ANGLES MAY VARY ±.1°  
 ECCENTRICITY BETWEEN ANY DIAMETERS ON THE SAME CENTERLINE SHALL NOT EXCEED .010 TOTAL INDICATOR READING.  
 ALL DIMENSIONS ARE FINISH DIMENSIONS INCLUDING APPLIED FINISH AND ARE GIVEN IN INCHES.

COLLINE RADIO CO.  
 1421A - PH - 51-93  
 SIGNAL CORPS  
 REVIEWED *PME*  
 APPROVED *HLV*  
*PME*

*PLATE ASSY-ADJ*

DEPARTMENT OF THE ARMY  
 SIGNAL CORPS ENGINEERING  
 LABORATORIES  
 FORT MONMOUTH      NEW JERSEY

*SM-B-249072*

DATE *15 DEC 55*

SCALE *4/1*